

Humanscale[®]

ICONIC BRAND

Executive Chairs

Humanscale[®] Liberty (Freedom) Office Chair



Winner of 10 design awards to date - the Liberty chair has revolutionized the task chair industry. Its weight-sensitive recline, synchronously adjustable armrests, and dynamically positioned headrest set new standards for task chair performance and functionality to keep the sitter exceptionally comfortable while also lowering the risk of long-term injury.

- Over one million sold worldwide
- 10 International awards
- 62% recycled content, 90% recyclable
- Greenguard Certified
- Modular cushions for easy replacement
- 5 Year warranty

With armrests, black fabric	1190
With armrests & Headrest, black fabric	1191
Custom options are available	



Humanscale[®] Liberty Mesh Office Chair



With Form-Sensing Mesh Technology, the Liberty Mesh Task Chair is unlike any mesh chair you've seen or experienced. With its tri-panel construction, it has the body-fitting contours that single-panel stretch mesh chairs simply can't achieve.

It offers perfect lumbar support for everyone, without external devices or manual adjustments. Liberty's mesh back is formed by combining three panels of non-stretch mesh in the same way a tailor combines multiple pieces of material to form a shirt.

The Liberty Mesh contours are custom-made to both fit and support the human body in unprecedented comfort.

- Made predominantly of aluminum, followed by steel and plastic
- 62% recycled content, 90% recyclable
- Greenguard Certified
- Modular cushions for easy replacement
- 5 Year warranty

With armrests, black fabric	1192
Custom options are available	



Through the development of the simplest, most elegant solutions, Humanscale products stand the test of time - both functional and aesthetically.

The revolutionary seating solution broke new ground by combining unprecedented functionality with minimal manual controls, utilizing dynamic mechanisms that respond to the requirements of each individual user automatically.

In 2009, Humanscale sold its millionth Liberty Freedom chair.

Sustainability

The Liberty Chair is a great example of Humanscale's environmental purpose.

- Contains 54% recycled content (32% post-consumer, 22% pre-consumer)
- 93% recyclable
- Weighs only 27 lbs
- Designed for easy disassembly

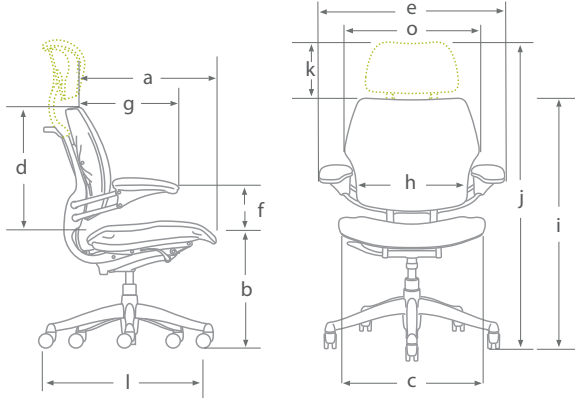
Specifications

Comparison

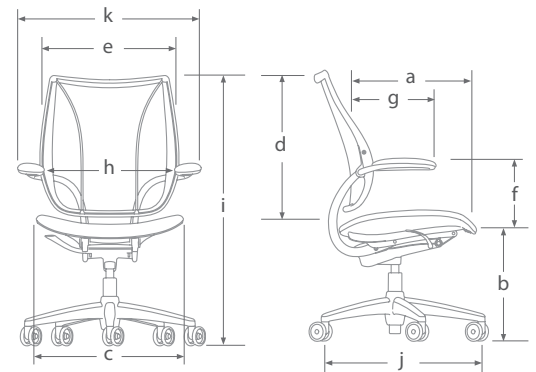
Features:	Liberty (Freedom)	Liberty (Freedom) w/headrest	Liberty Mesh
Backrest height		MB	MB
Backrest angle adjustment	●	●	●
Seat depth adjustment	●	●	●
Adjustable armrests	●	●	●
Headrest		●	
Seat tilt/tension adjustment			
Pneumatic height adjustment	●	●	●
Custom cylinder height (Low, Tall, High, Extra-High)	○	○	○
Custom colour frame	○	○	○
Custom colour star base	○	○	○
Custom armsrest (Gel, Xanium, Textile)	○	○	○
Custom seat (Standard Foam, Gel)	○	○	○
Custom textile/mesh	○	○	○
Custom textile/mesh colour	○	○	○
Custom castors (hard/soft/locking/glides)	○	○	○
Foot ring (18" foot ring, 21" foot ring)	○	○	○
Fireproofing (Cal 133 approved foams & plastics)	○	○	○
Recyclable %	90%	90%	93%

● Standard ○ Optional HB - High Backrest MB - Medium Backrest

freedom[®]



Liberty[®]



Dimensions

(mm)	Liberty (Freedom)	Liberty (Freedom) w/headrest	Liberty Mesh
A. Seat Depth (from face of lumbar to front of seat)	412 ~ 469	412 ~ 469	419 ~ 476
B. Seat Height (floor to compressed front center of seat cushion)	406 ~ 533	406 ~ 533	406 ~ 533
C. Seat Width	533	533	533
D. Backrest Height (Adjustment Range)	457 ~ 533	457 ~ 533	571
E. Chair Width	692	692	673
F. Armrest Height (Adjustment Range)	127 ~ 279	127 ~ 279	165 ~ 292
G. Armrest Length	362	362	311
H. Distance between Armrests (front inside edge)	292 ~ 546	292 ~ 546	482
I. Height (no headrest)	851 ~ 1054	851 ~ 1054	
J. Height (with headrest)		1092 ~ 1346	
K. Headrest Height Adjustment Range		127	
L. Base Diameter	635	635	635
M. Optional : Foot Ring Diameter	457 or 534	457 or 534	
N. Optional : Foot Ring Height Adjustment (from floor)	152 ~ 279	152 ~ 279	
O. Backrest Width	533	533	508

Sizes are approximate